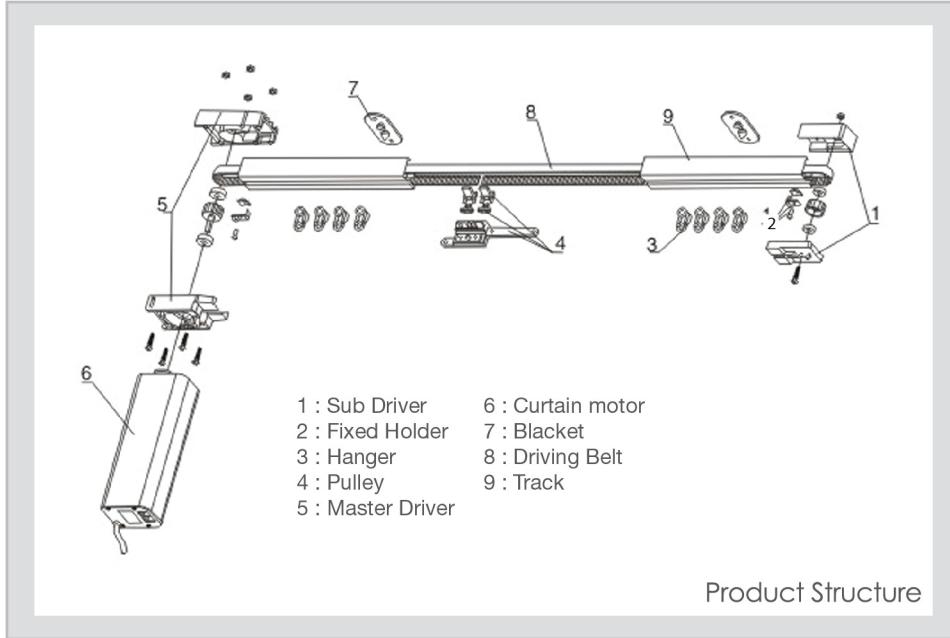


Accessories >>



Control Modes >>

